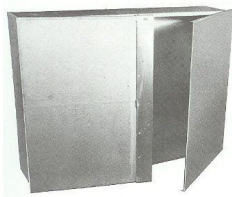




K & S METAL ENCLOSURES
ELECTRICAL *BOX AND PANEL MFG. CO., INC*

UTILITY ENCLOSURES
CT CABINETS, END BOXES, SPLICE BOXES
PECO, PPL & PSE & G APPROVED



873 EAST BALTIMORE PIKE #451
KENNETT SQUARE PA 19348
PHONE: (610) 998-1370 Fax: (610) 998-1379

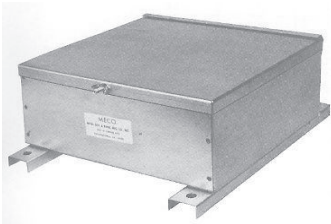
www.ksmetalenclosures.com



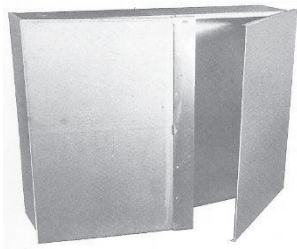
K & S Metal Enclosures Inc.

873 East Baltimore Pike #451 Kennett Square, PA 19348
(PH) 610-998-1370 (FAX) 610-998-1379

Distributors List Prices
UTILITY APPROVED ENCLOSURES



UNDERGROUND BOX



DOUBLE DOOR
TRANSFORMER
CABINET

- Indoor and outdoor CT cabinets are in stock for immediate delivery.
- Special sizes and mounting stands available. Please call for quote.

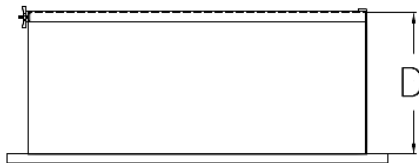
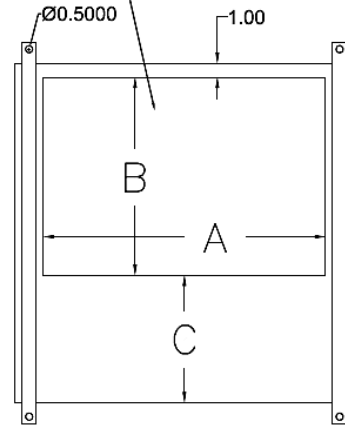
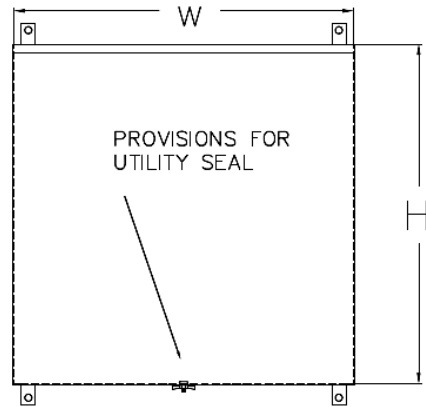


UNDERGROUND BOXES			
PECO #	Size (H"xW"xD")	Wt. Lbs.	List Price
051212UBX	12 x 12 x 5	9	\$48.68
061616UBX	16 x 16 x 6	17	\$70.15
082020UBX	20 x 20 x 8	25	\$105.93
102424UBX	24 x 24 x 10	33	\$175.34
183636UBX	36 x 36 x 18	150	\$901.75
244242UBX	42 x 42 x 24	170	\$1,001.95
PECO CURRENT TRANSFORMER (CT) CABINETS NEMA 1 (INDOOR)			
PECO #	Size (H"xW"xD")	Wt. Lbs.	List Price
101824CT	18 x 24 x 10 SINGLE DOOR 16 GA	37	\$115.37
102432CT	24x 32 x 10 DOUBLE DOOR 14 GA	65	\$191.64
103232CT	32 x 32 x 10 DOUBLE DOOR 14 GA	75	\$261.37
103242CT	32 x 42 x 10 DOUBLE DOOR 14 GA	175	\$522.95
124254CT	42 x 54 x 12 DOUBLE DOOR 14 GA	142	\$789.23
PECO CURRENT TRANSFORMER (CT) CABINETS NEMA 3R (OUTDOOR)			
PECO #	Size (H"xW"xD")	Wt. Lbs.	List Price
152818N3R	28 x 18 x 15	50	\$688.50
153530N3R	35 x 30 x 15	90	\$899.80
153540N3R	35 x 40 x 15	103	\$1,204.75
154232N3R	42 x 32 x 15	120	\$1,157.21
154254N3R	42 x 54 x 15	184	\$1,451.69
WALL MOUNTED SPLICE BOX			
PECO #	Size (H"xW"xD")	Wt. Lbs.	List Price
244242SPL	42 x 42 x 24	220	\$1,507.35
244260SPL	42 x 60 x 24	312	\$1,550.62
PP&L CT CABINETS NEMA-1 (INDOOR)			
ITEM #	Size (H"xW"xD")	Wt. Lbs.	List Price
123636CT	36" x 36" x 12	150	\$502.43
124848CT	48" x 48" x 12"	156	\$780.56
127248CT	72" x 48" x 12"	231	\$2,145.25
PP&L CT CABINETS NEMA-3R (OUTDOOR)			
ITEM #	Size (H"xW"xD")	Wt. Lbs.	List Price
123636N3R	36" x 36" x 12"	150	\$583.11
124848N3R	48" x 48"x 12"	162	\$868.80
127248N3R	72" x 48"x 12"	243	\$2,235.17

K&S METAL ENCLOSURES
 END BOXES FOR SERVICE CONDUCTORS
 (UNDERGROUND ENTRANCE BOXES)

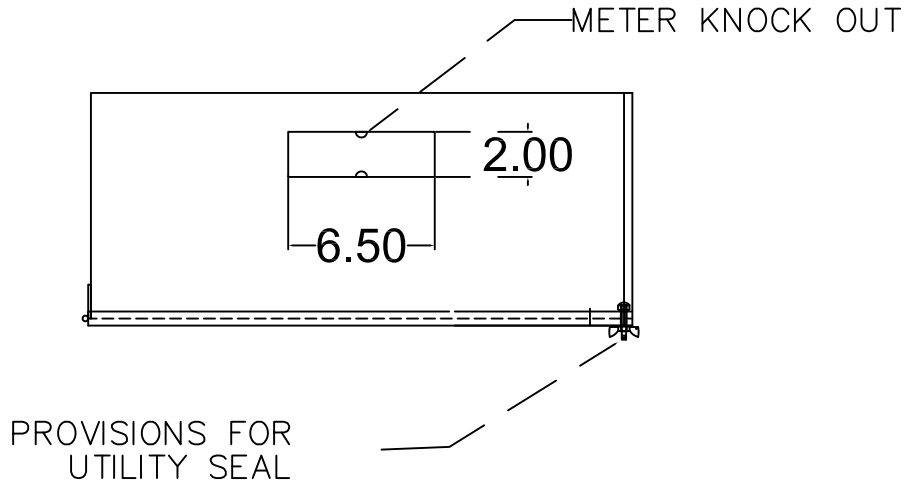
REFERENCE: PECO ELECTRIC SERVICE REQUIREMENTS
 MANUAL
 SECONDARY SERVICES, REV 2; SECTION 6.3.1.1 END
 BOX SIZES

OPENING IN BACK OF BOX
 FOR ENTRANCE OF SERVICE
 DUCTS AND CONDUCTORS
 SEE SIZE



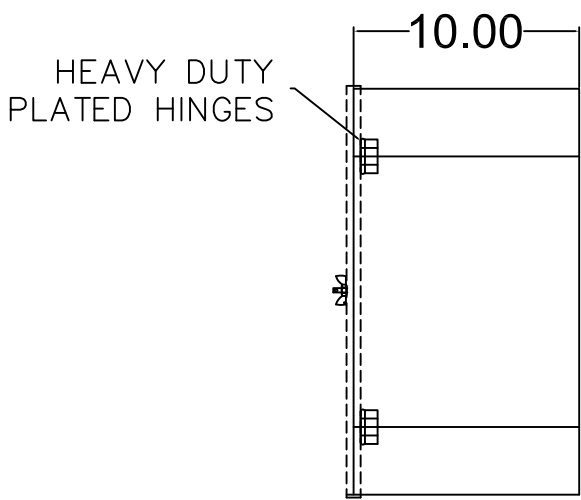
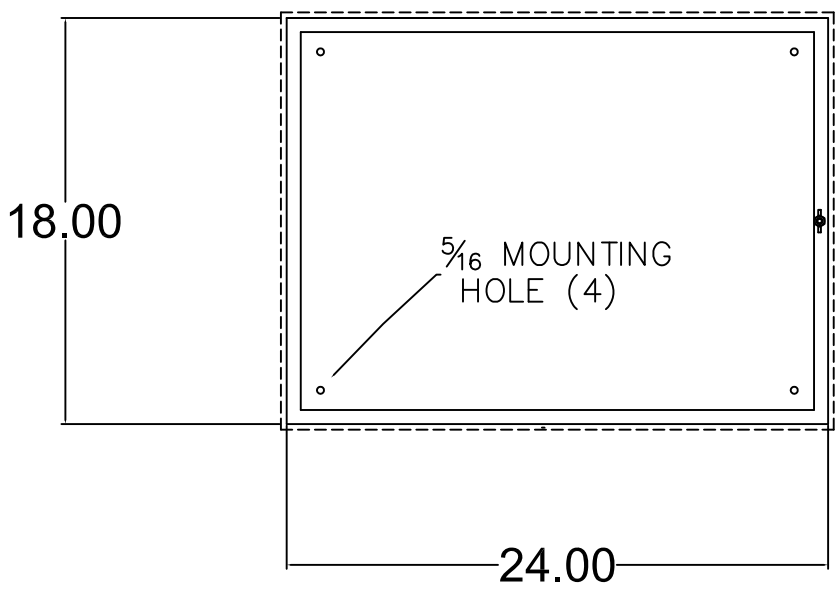
BOX SIZE			METAL GAUGE	BACK OPENING		
H	W	D		A	B	C
12	12	5	16	8	8	3
16	16	6	16	12	10	5
20	20	8	16	16	12	7
24	24	10	14	20	14	9
36	36	18	14	32	24	11
42	42	24	14	32	28	13

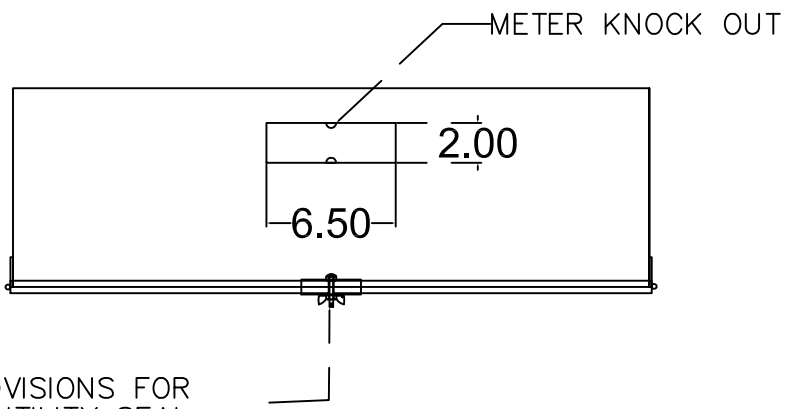
ALL MEASUREMENTS IN INCHES



K&S METAL ENCLOSURES
 18X24X10 PECO SECONDARY METERING
 CABINET
 CATALOG #: 1-10

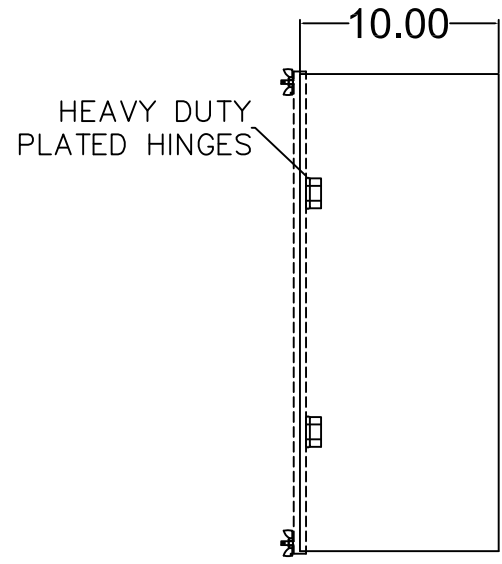
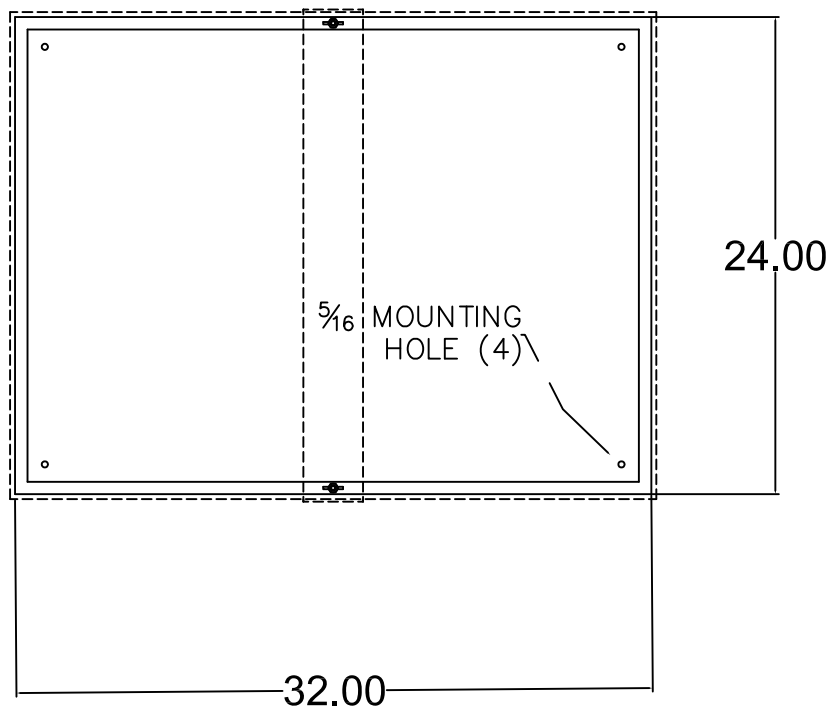
- NOTES:
- NEMA 1, SINGLE DOOR WALL MOUNTED
 - 14 GAUGE GALVANIZED

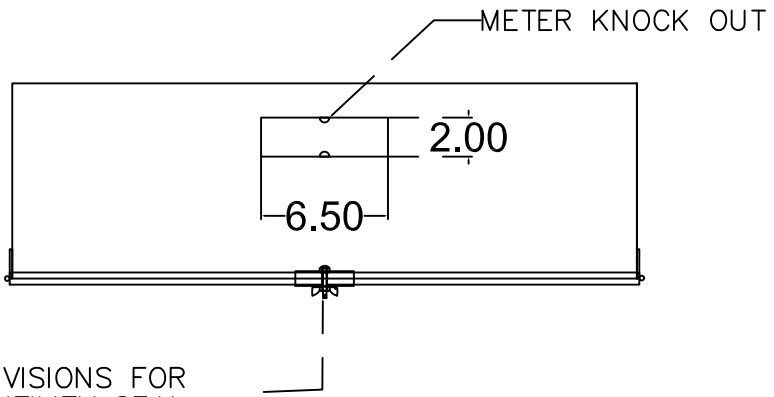




K&S METAL ENCLOSURES
 24X32X10 PECO SECONDARY METERING
 CABINET
 CATALOG #: 2-10

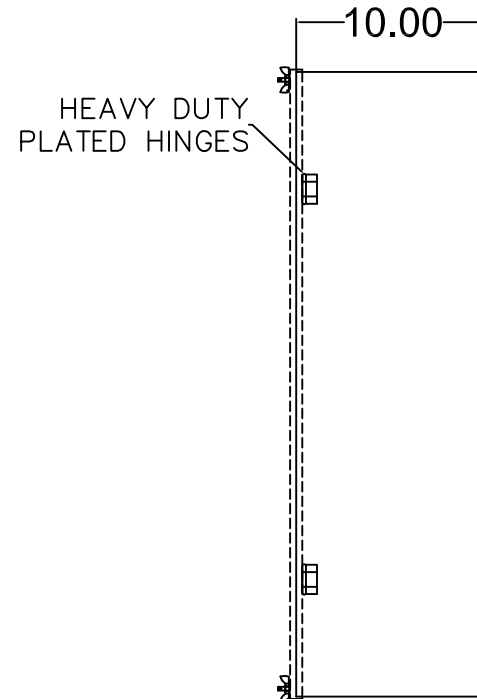
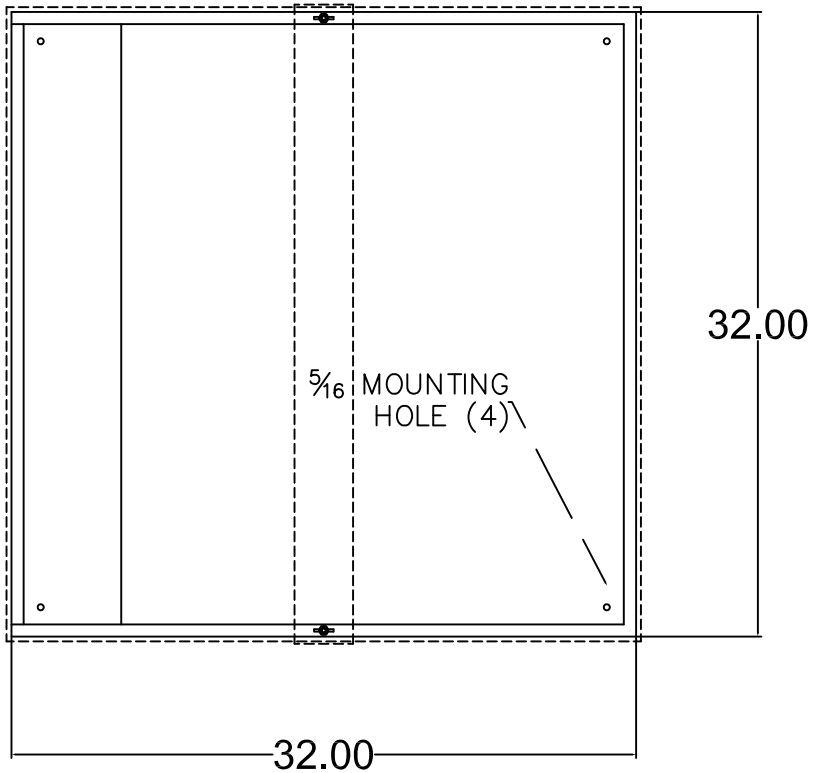
- NOTES:
- NEMA 1, DOUBLE DOOR WALL MOUNTED
 - 14 GAUGE GALVANIZED

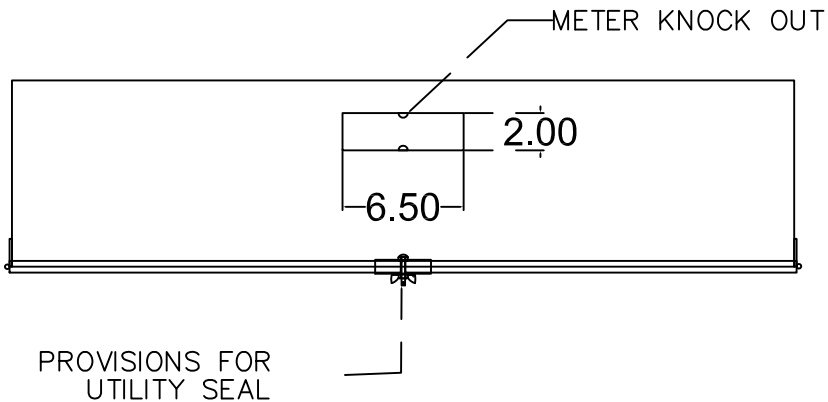




K&S METAL ENCLOSURES
 32X32X10 PECO SECONDARY METERING
 CABINET
 CATALOG #: 3-10

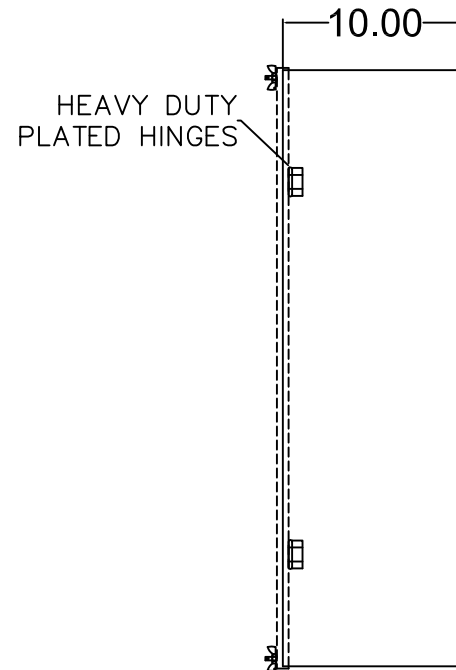
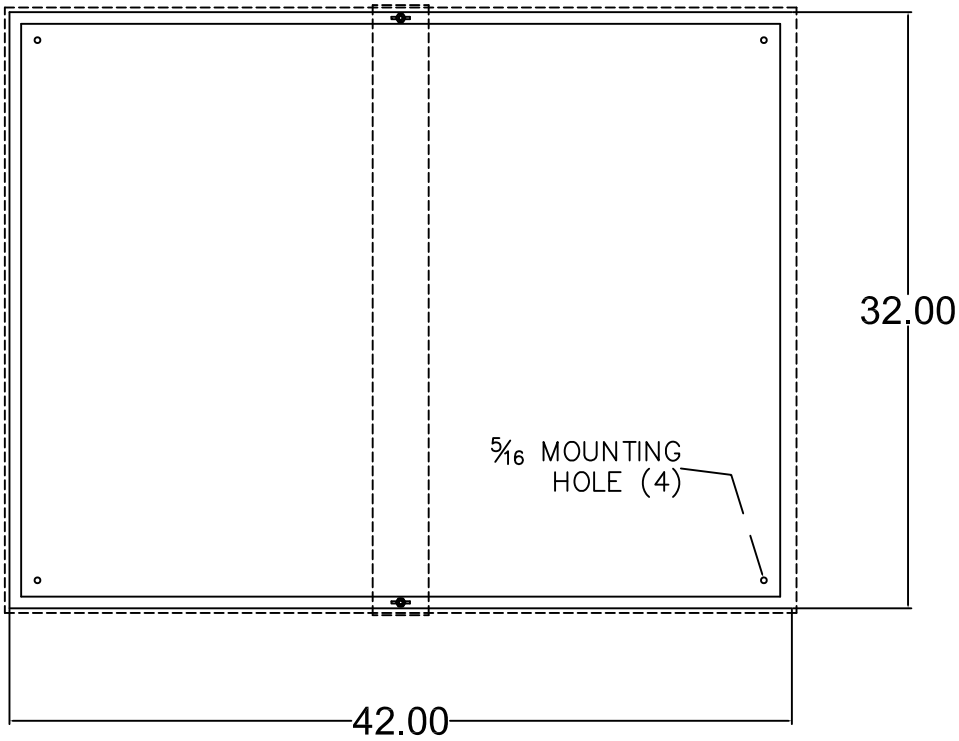
- NOTES:
- NEMA 1, DOUBLE DOOR WALL MOUNTED
 - 14 GAUGE GALVANIZED

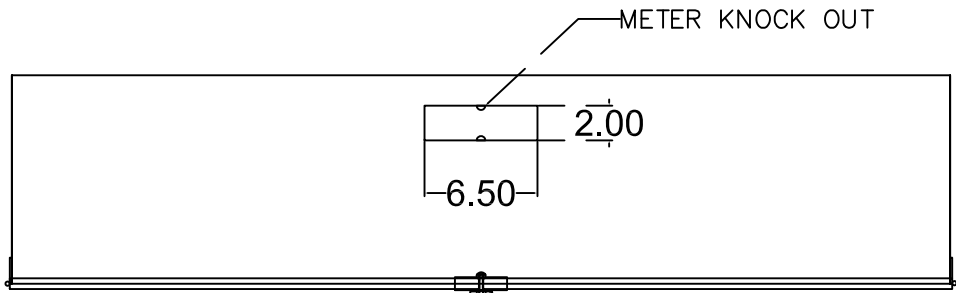




K&S METAL ENCLOSURES
 32X42X10 PECO SECONDARY METERING
 CABINET
 CATALOG #: 4-10

- NOTES:
- NEMA 1, DOUBLE DOOR WALL MOUNTED
 - 14 GAUGE GALVANIZED



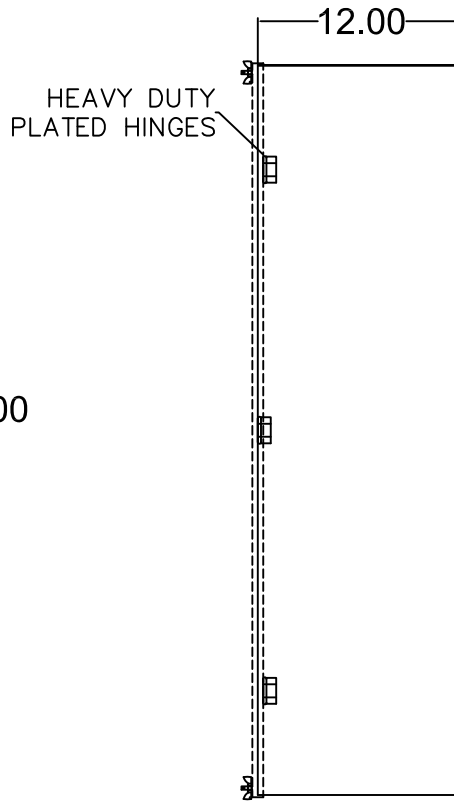
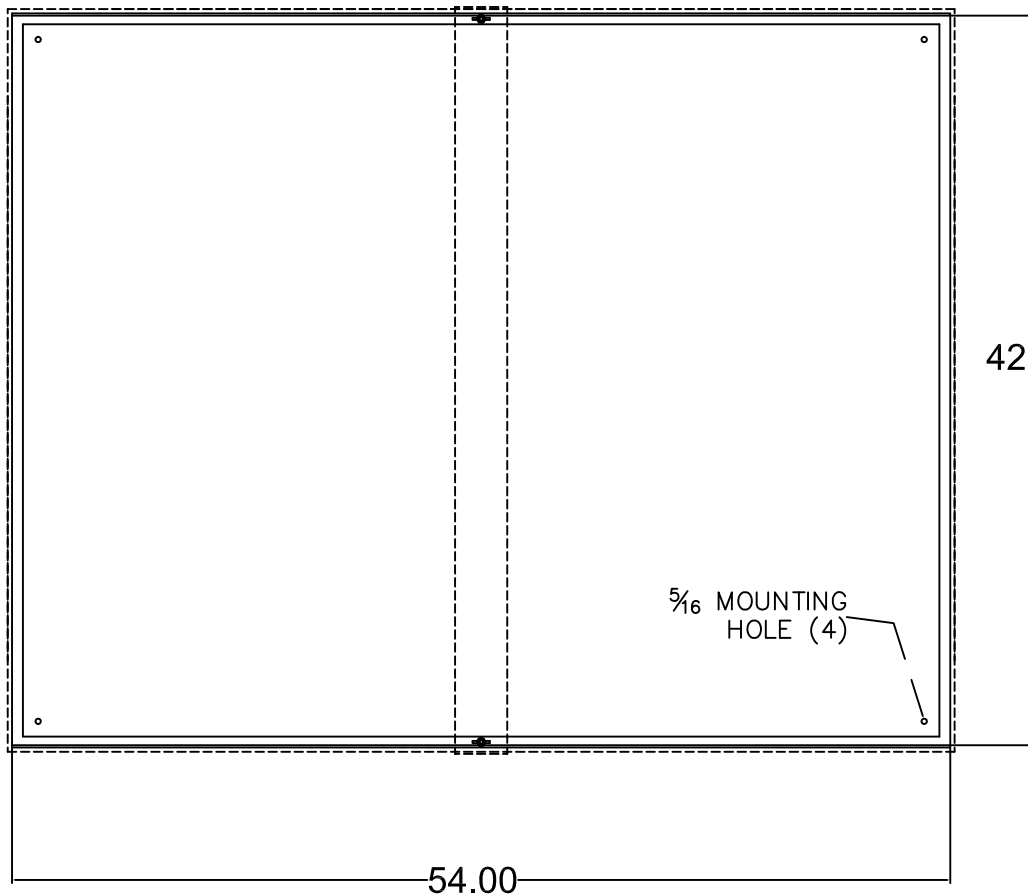


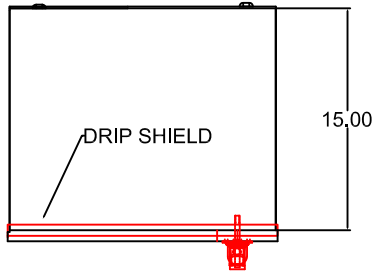
PROVISIONS FOR
UTILITY SEAL

K&S METAL ENCLOSURES
42X54X12 PECO SECONDARY METERING
CABINET
CATALOG #: 5-12

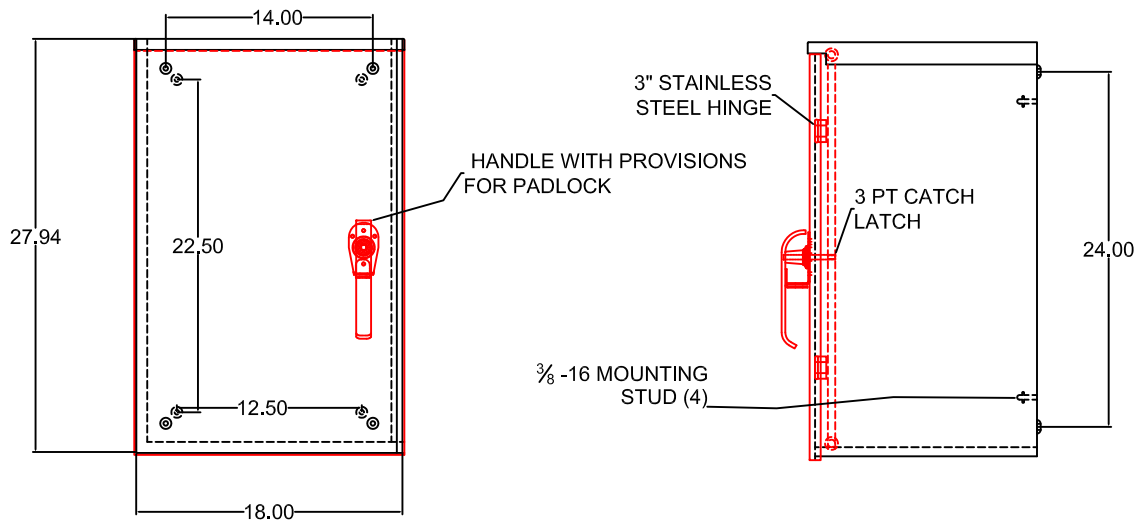
NOTES:

- NEMA 1 , DOUBLE DOOR WALL MOUNTED
- 14 GAUGE GALVANIZED



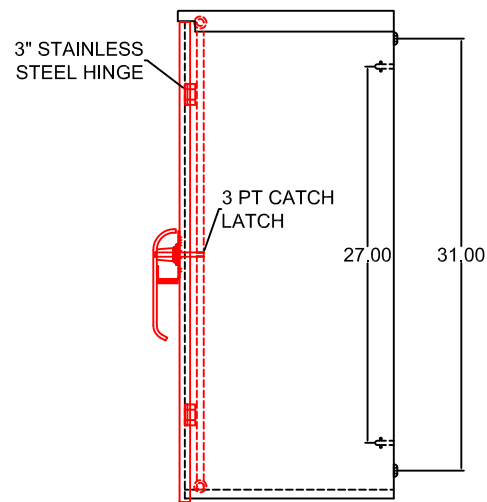
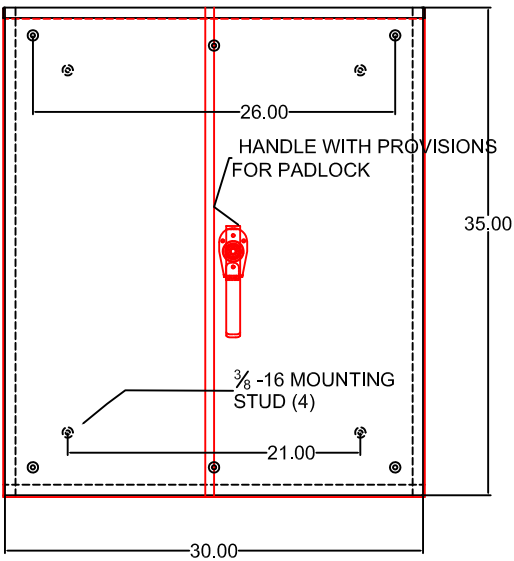
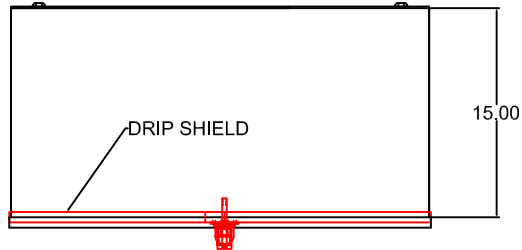


K&S METALS
 28 X 18 X 15 NEMA 3R CT
 CABINET
 PECO #: M2818



NOTES:

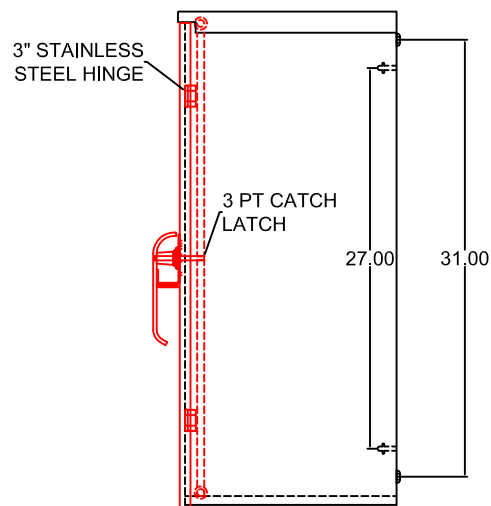
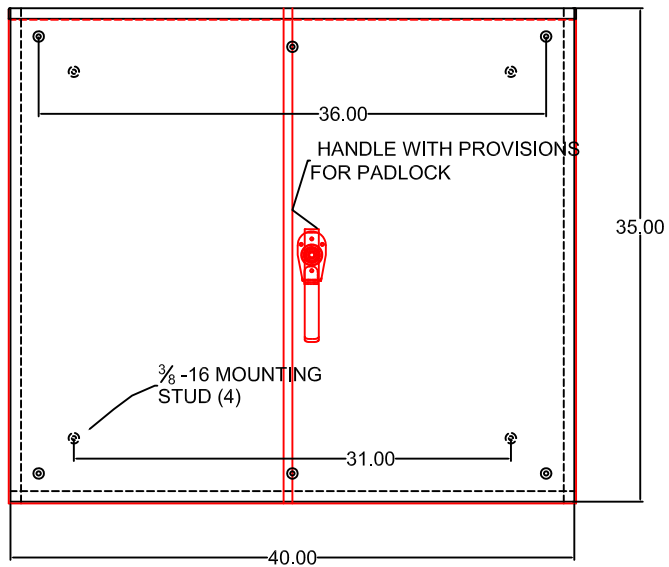
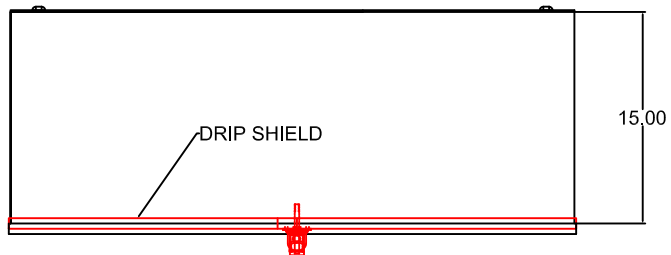
- NEMA 3R OUTDOOR CONSTRUCTION
- MOUNTING HOLES TOP & BOTTOM
- SINGLE DOOR IS FURNISHED WITH 3PT CATCH HANDLE & AND LIFT-OFF TYPE HINGES
- $\frac{3}{16}$ -16 STUDS FOR CURRENT TRANSFORMER MOUNTING
- TOP MOUNTED DRIP SHIELD PROTECTS AGAINST FALLING RAIN, SLEET, AND EXTERNAL ICE FORMATION
- 14 GAUGE GALVANIZED STEEL FINISH



K&S METALS
 35 X 30 X 15 NEMA 3R CT
 CABINET
 PECO #: M3530

NOTES:

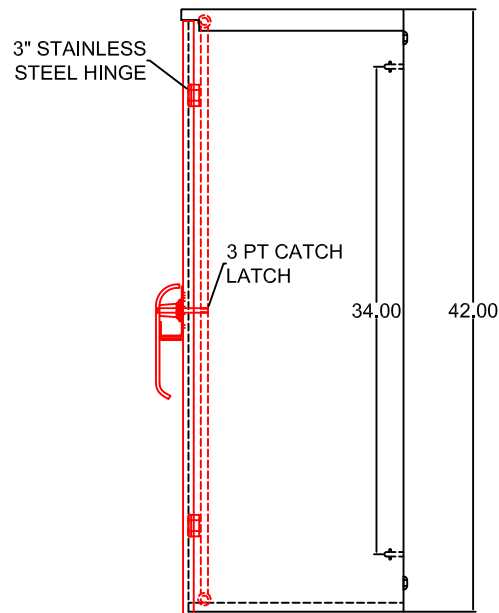
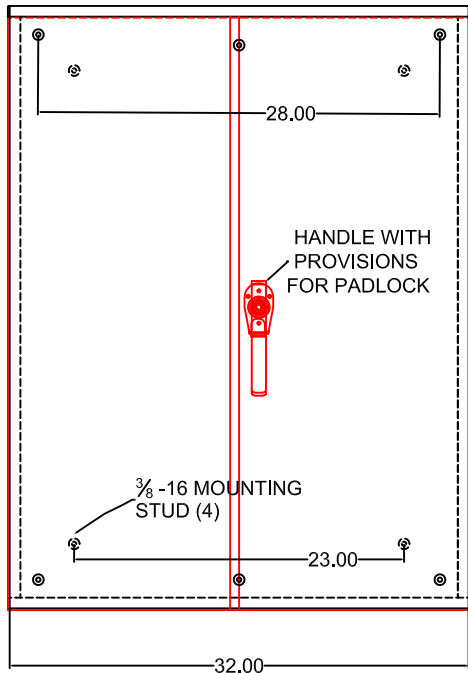
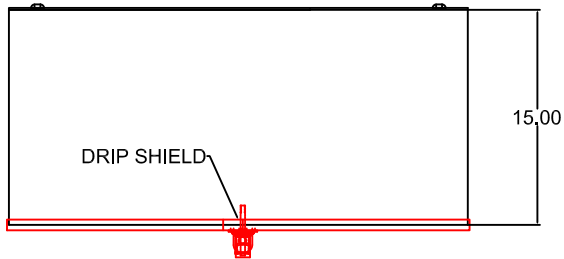
- NEMA 3R OUTDOOR CONSTRUCTION
- MOUNTING HOLES TOP & BOTTOM
- OVERLAPPING DOORS ARE FURNISHED WITH 3PT CATCH HANDLE & AND LIFT-OFF TYPE HINGES
- $\frac{3}{8}$ -16 STUDS FOR CURRENT TRANSFORMER MOUNTING
- TOP MOUNTED DRIP SHIELD PROTECTS AGAINST FALLING RAIN, SLEET, AND EXTERNAL ICE FORMATION
- 14 GAUGE GALVANIZED STEEL FINISH



K&S METALS
 35 X 40 X 15 NEMA 3R CT
 CABINET
 PECO #: M3540

NOTES:

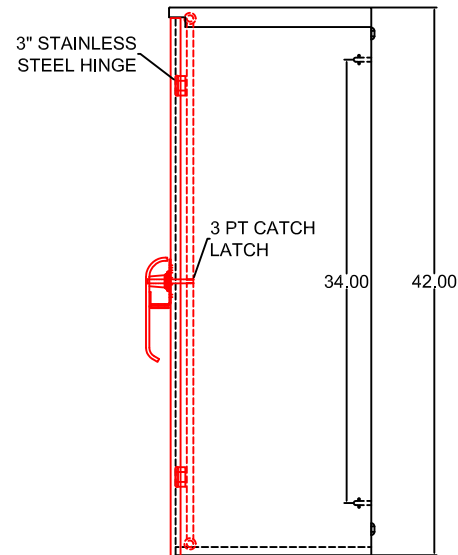
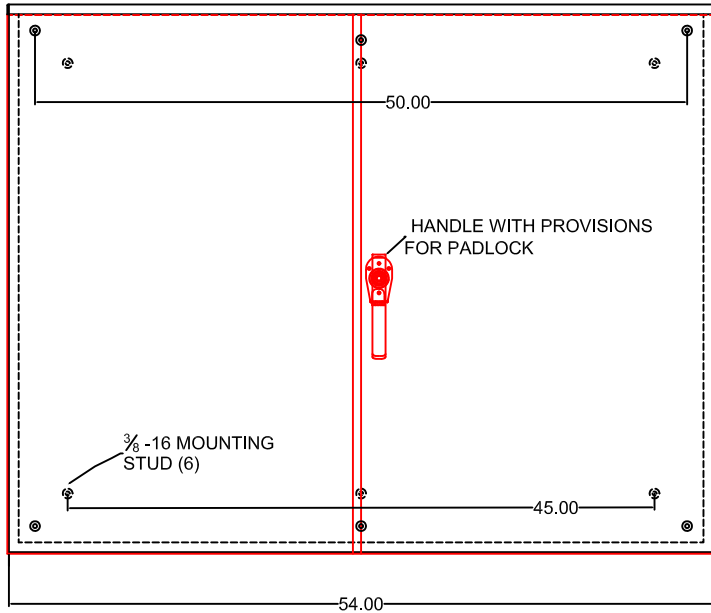
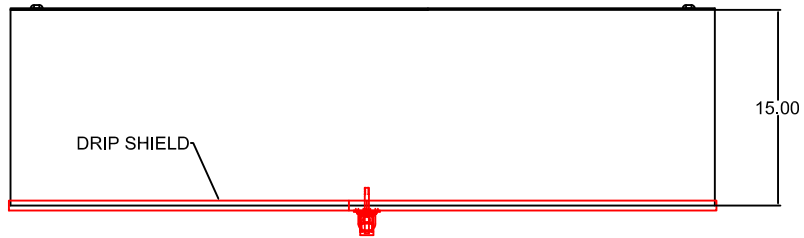
- NEMA 3R OUTDOOR CONSTRUCTION
- MOUNTING HOLES TOP & BOTTOM
- OVERLAPPING DOORS ARE FURNISHED WITH 3PT CATCH HANDLE & LIFT-OFF TYPE HINGES
- $\frac{3}{8}$ -16 STUDS FOR CURRENT TRANSFORMER MOUNTING
- TOP MOUNTED DRIP SHIELD PROTECTS AGAINST FALLING RAIN, SLEET, AND EXTERNAL ICE FORMATION
- 14 GAUGE GALVANIZED STEEL FINISH



K&S METALS
 42 X 32 X 15 NEMA 3R CT
 CABINET
 PECO #: M4232

NOTES:

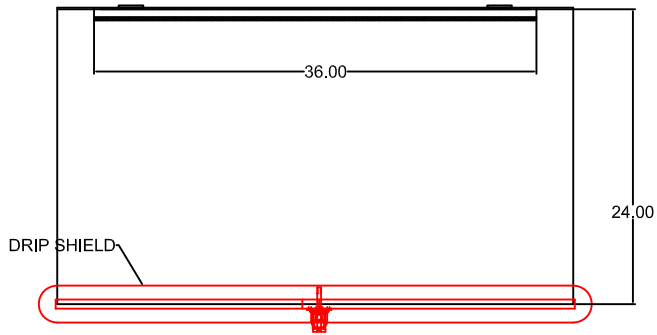
- NEMA 3R OUTDOOR CONSTRUCTION
- MOUNTING HOLES TOP & BOTTOM
- OVERLAPPING DOORS ARE FURNISHED WITH 3PT CATCH HANDLE & LIFT-OFF TYPE HINGES
- $\frac{3}{16}$ -16 STUDS FOR CURRENT TRANSFORMER MOUNTING
- TOP MOUNTED DRIP SHIELD PROTECTS AGAINST FALLING RAIN, SLEET, AND EXTERNAL ICE FORMATION
- 14 GAUGE GALVANIZED STEEL FINISH



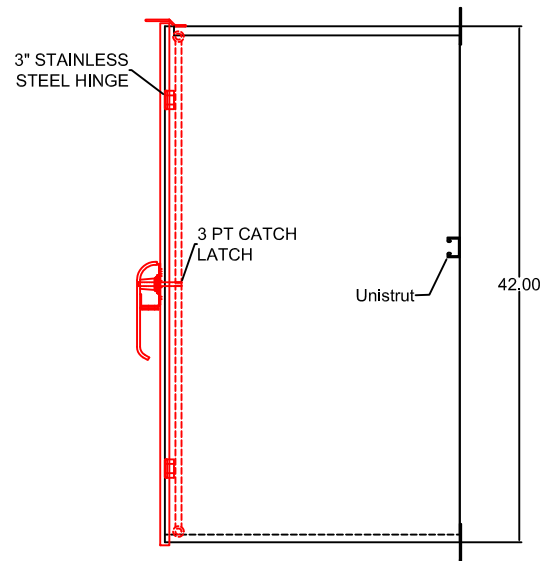
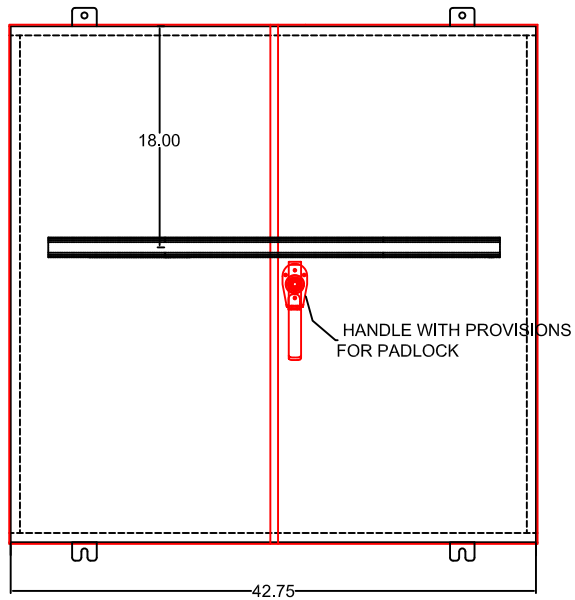
K&S METALS
 42 X 54 X 15 NEMA 3R CT
 CABINET
 PECO #: M4254

NOTES:

- NEMA 3R OUTDOOR CONSTRUCTION
- MOUNTING HOLES TOP & BOTTOM
- OVERLAPPING DOORS ARE FURNISHED WITH 3PT CATCH HANDLE & LIFT-OFF TYPE HINGES
- $\frac{3}{8}$ -16 STUDS FOR CURRENT TRANSFORMER MOUNTING
- TOP MOUNTED DRIP SHIELD PROTECTS AGAINST FALLING RAIN, SLEET, AND EXTERNAL ICE FORMATION
- 14 GAUGE GALVANIZED STEEL FINISH

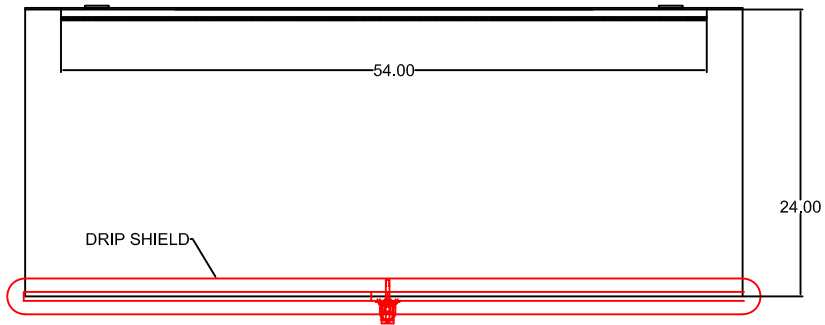


K&S METAL ENCLOSURES
 42 X 42 X 24 WALL MOUNTED
 SPLICE BOX
 CATALOG #: M4242

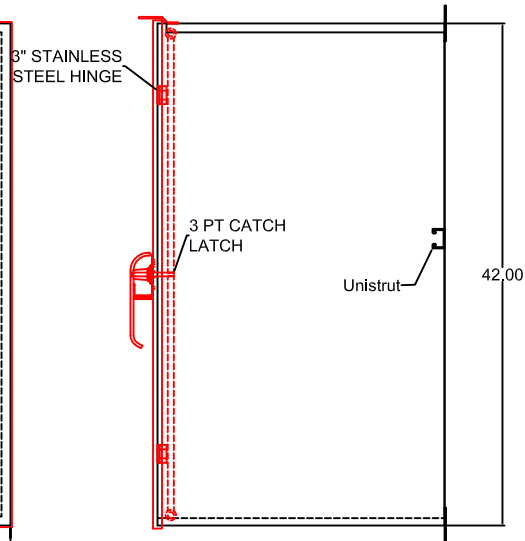
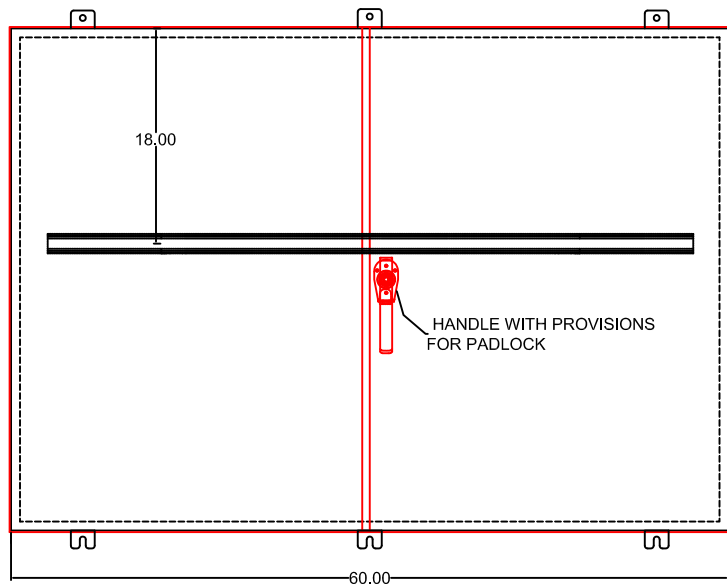


NOTES:

- NEMA 3R OUTDOOR CONSTRUCTION
- MOUNTING FEET TOP & BOTTOM
- OVERLAPPING DOORS ARE FURNISHED WITH 3PT CATCH PADLOCKING HANDLE, WITH GASKET ON DOORS
- 36" PERFORATED UNISTRUT WELDED HORIZONTALLY INSIDE OF CABINET, 18" FROM TOP AND CENTERED LEFT TO RIGHT
- STAINLESS STEEL LIFT OFF TYPE HINGES
- 14 GAUGE GALVANIZED STEEL FINISH
- REFERENCE PECO ELECTRIC SERVICE REQUIREMENTS MANUAL SECTION 10, ACCEPTED EQUIPMENT REV.-4

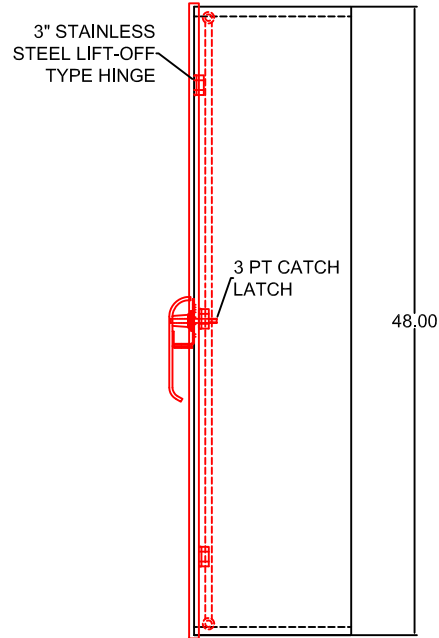
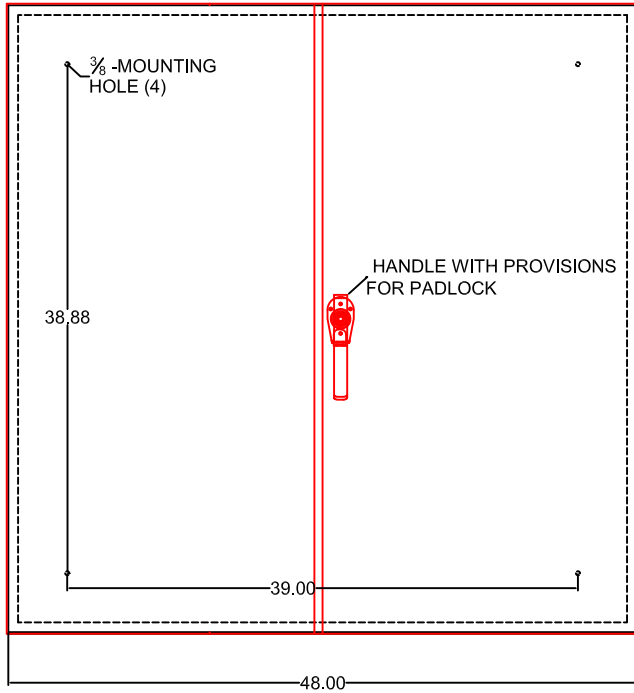
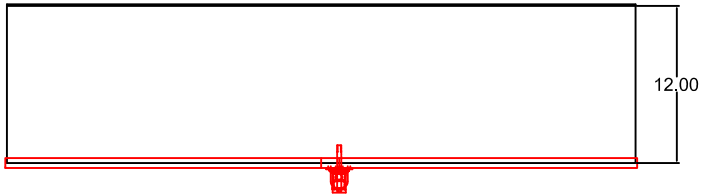


K&S METAL ENCLOSURES
 42 X 60 X 24 WALL MOUNTED
 SPLICE BOX
 CATALOG #: M6042



NOTES:

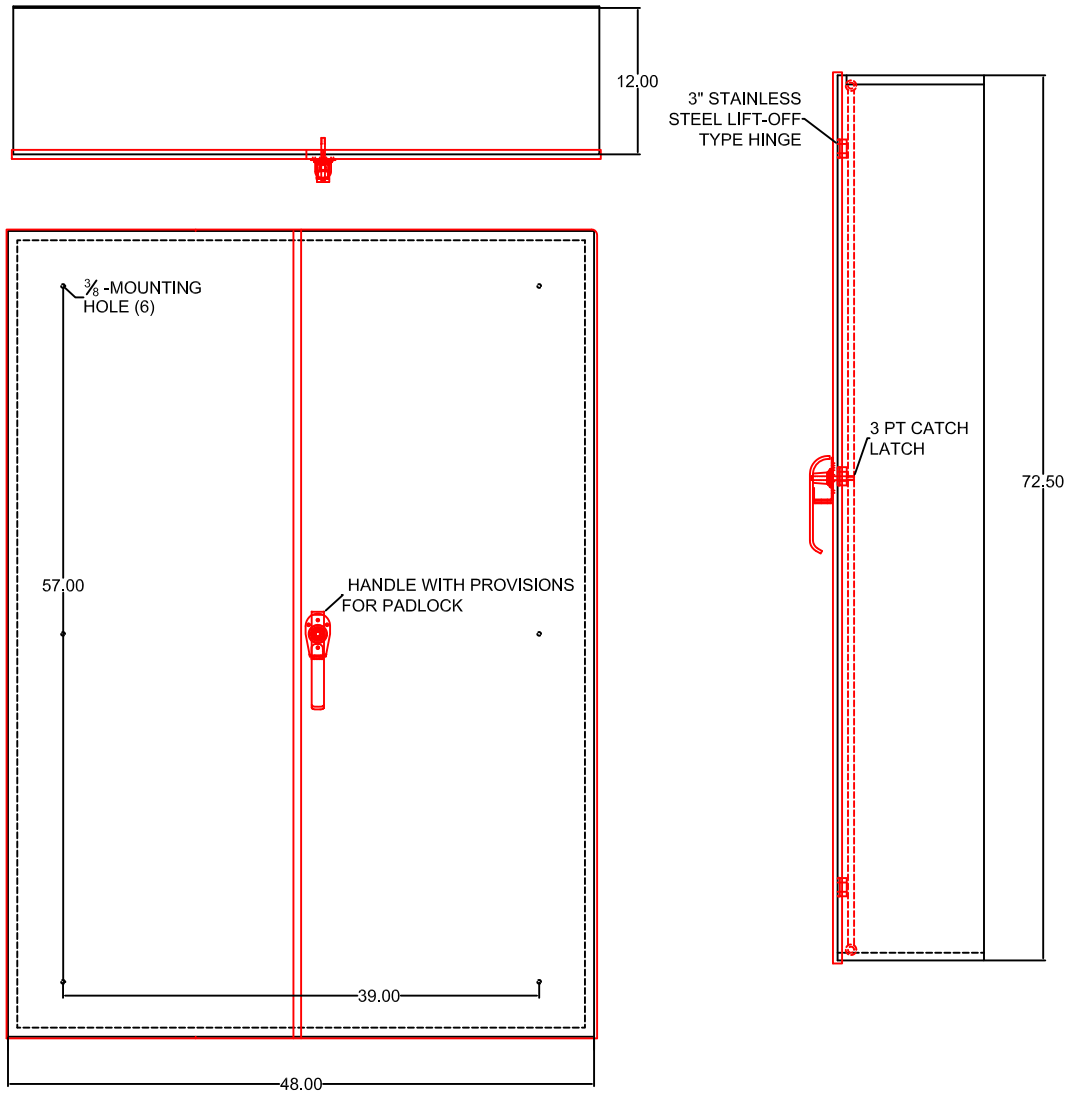
- NEMA 3R OUTDOOR CONSTRUCTION
- MOUNTING FEET TOP & BOTTOM
- OVERLAPPING DOORS ARE FURNISHED WITH 3PT CATCH PADLOCKING HANDLE, WITH GASKET ON DOORS
- 54" PERFORATED UNISTRUT WELDED HORIZONTALLY INSIDE OF CABINET, 18" FROM TOP AND CENTERED LEFT TO RIGHT
- STAINLESS STEEL LIFT OFF TYPE HINGES
- 14 GAUGE GALVANIZED STEEL FINISH
- REFERENCE PECO ELECTRIC SERVICE REQUIREMENTS MANUAL SECTION 10 ACCEPTED EQUIPMENT REV.-4



K&S METALS
 48 X 48 X 12 NEMA 1 CT CABINET
 PPL UTILITY APPROVED
 PPL #: K-1248

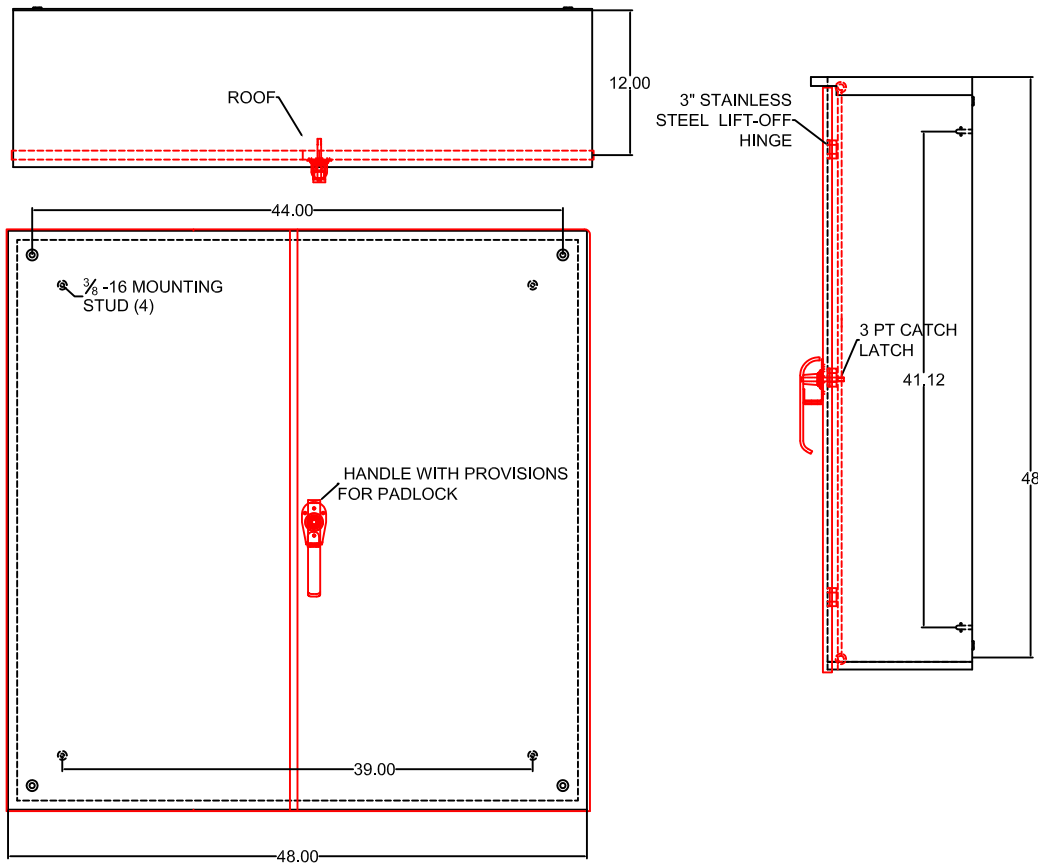
NOTES:

- NEMA 1 INDOOR CONSTRUCTION
- 3/8" HOLES FOR WALL MOUNTING
- OVERLAPPING DOORS ARE FURNISHED WITH 3PT CATCH HANDLE
- UL 50 APPROVED
- 14 GAUGE GALVANIZED STEEL FINISH



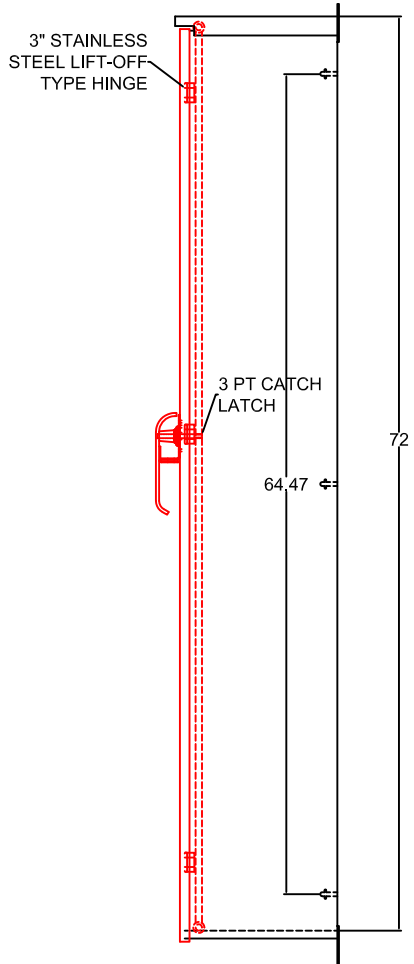
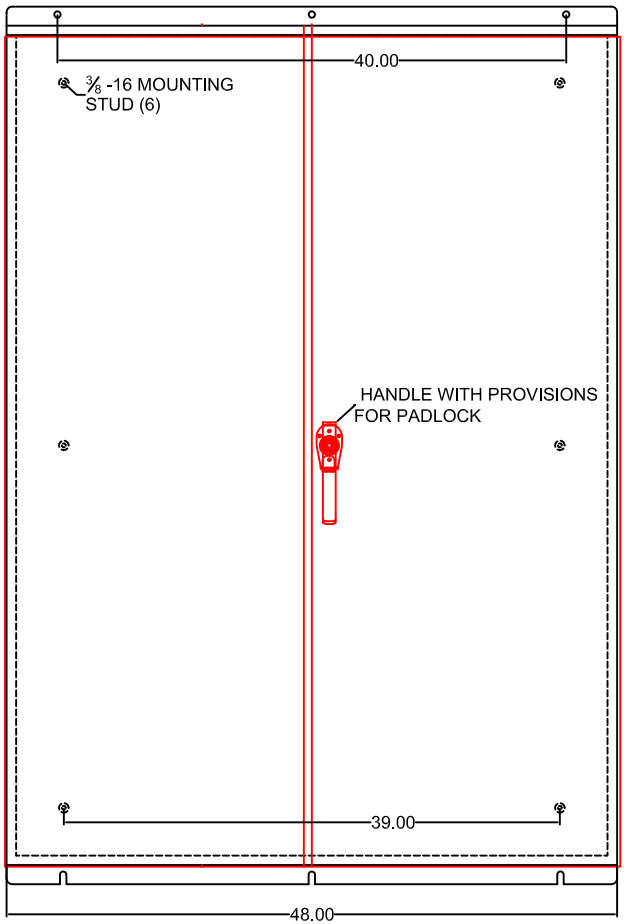
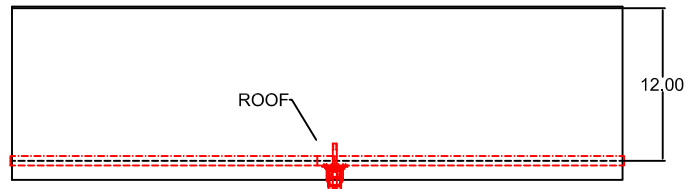
K&S METALS
 72 X 48 X 12 NEMA 1 CT CABINET
 PPL UTILITY APPROVED
 PPL#: K-1272

- NOTES:
- NEMA 1 INDOOR CONSTRUCTION
 - 3/8" HOLES FOR WALL MOUNTING
 - OVERLAPPING DOORS ARE FURNISHED WITH 3PT CATCH HANDLE
 - UL 50 APPROVED
 - 14 GAUGE GALVANIZED STEEL FINISH



K&S METALS
 48 X 48 X 12 NEMA 3R CT
 CABINET
 PPL UTILITY APPROVED
 PPL#: KR-1248

- NOTES:
- NEMA 3R OUTDOOR CONSTRUCTION
 - EMBOSSED MOUNTING HOLES FOR WALL MOUNTING
 - OVERLAPPING DOORS ARE FURNISHED WITH 3PT CATCH HANDLE
 - 3/8" -16 STUDS FOR CURRENT TRANSFORMER MOUNTING
 - TOP MOUNTED DRIP SHIELD PROTECTS AGAINST FALLING RAIN, SLEET, AND EXTERNAL ICE FORMATION
 - 14 GAUGE GALVANIZED STEEL FINISH



K&S METALS
 72 X 48 X 12 NEMA 3R CT
 CABINET
 PPL UTILITY APPROVED
 PPL#: KR-1272

- NOTES:
- NEMA 3R OUTDOOR CONSTRUCTION
 - MOUNTING FEET TOP & BOTTOM
 - OVERLAPPING DOORS ARE FURNISHED WITH 3PT CATCH HANDLE
 - $\frac{3}{8}$ -16 STUDS FOR CURRENT TRANSFORMER MOUNTING
 - TOP MOUNTED DRIP SHIELD PROTECTS AGAINST FALLING RAIN, SLEET, AND EXTERNAL ICE FORMATION
 - 14 GAUGE GALVANIZED STEEL FINISH

K & S Metal Enclosures INC.

873 East Baltimore Pike #451 Kennett Square, PA 19348
(PH) 610-998-1370 (FAX) 610-998-1379

PSE & G CURRENT TRANSFORMER CABINET

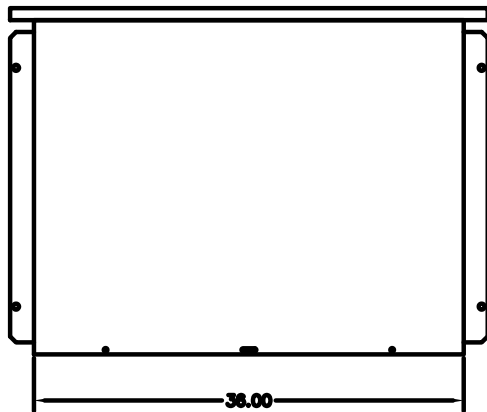
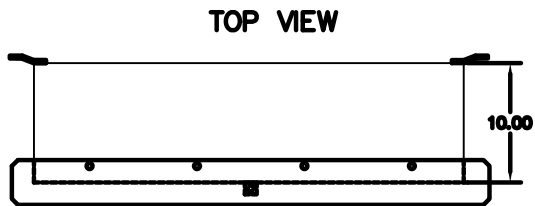
- Indoor (NEMA-1) and outdoor (NEMA-3R)
- 400-800 AMP Cabinets in stock
- UL Approved
- Conductor lug kit available, specify when ordering

2014			
ITEM #	SIZE & TYPE	WEIGHT	2014 LIST PRICE
103628-1	28 x 36 x 10 INDOOR CT CABINET (NEMA 1)	81	\$554.70
103628-3R	28 x 36 x 10 OUTDOOR CT CABINET (NEMA 3R)	88	\$644.68
103628-1L	28 x 36 x 10 INDOOR CT CABINET (NEMA 1) WITH LUG KIT	86	\$1,039.14
103628-3RL	28 x 36 x 10 OUTDOOR CT CABINET (NEMA 3R) WITH LUG KIT	93	\$1,129.12

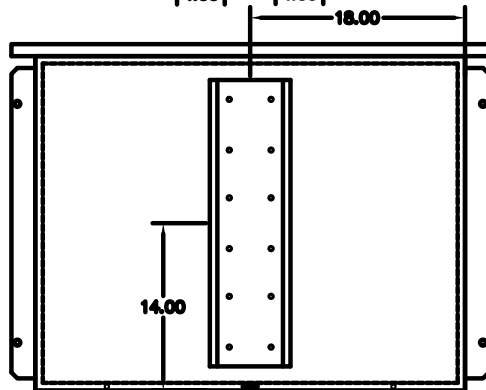
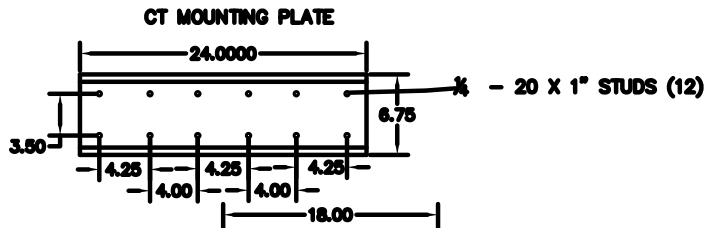
NOTES:

For reference see PSE&G Information and Requirements for Electrical Service, A-37, Exhibit 13A.

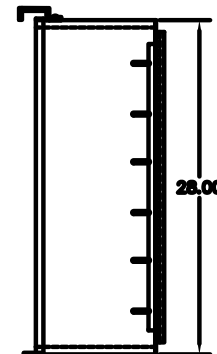
www.ksmetalenclosures.com



FRONT WITH COVER



FRONT COVER REMOVED



SIDE

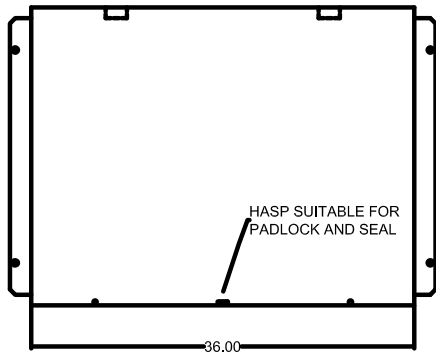
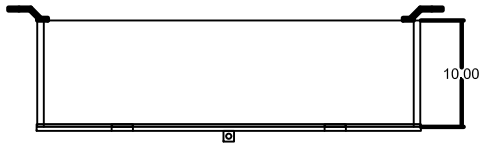
KS METAL ENCLOSURES

UTILITY: PSE & G
 TYPE: 3R OUTDOOR TRANSFORMER
 CABINET FOR OVER 200A - 800A
 CATALOG #: 103628-3R

NOTES:

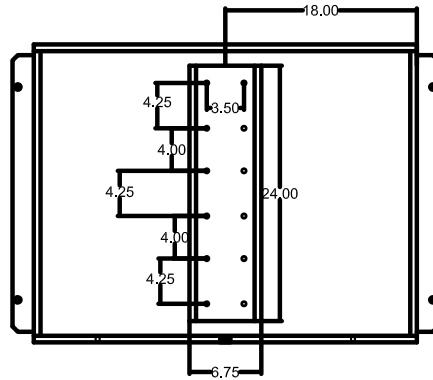
1. 14 GAUGE GALVANIZED FINISH
2. ONE PIECE COVER WITH HASP FOR BARREL LOCK AND WIRE SEAL
3. CABINET IS FURNISHED WITH :
 (12) 1/2" X 2" BOLTS AND HEX NUTS
 (24) BELLEVILLE WASHERS
 (24) FLAT WASHERS,
 ALL STAINLESS STEEL, NON-MAGNETIC
4. 14 GAUGE GALVANIZED FINISH
5. CONDUCTOR LUG KIT INCLUDED WITH CABINET UPON REQUEST, CATALOG NUMBER: 103628-3RL

TOP VIEW

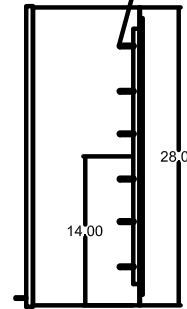


FRONT WITH COVER

1/2" -20 MOUNTING STUDS (12)



FRONT COVER REMOVED



SIDE

KS METAL ENCLOSURES

UTILITY: PSE & G
TYPE: INDOOR CT CABINET FOR
OVER 200A - 800A
CATALOG #: 103628-1

NOTES:

1. 14 GAUGE GALVANIZED FINISH
2. ONE PIECE COVER WITH HASP FOR BARREL LOCK AND WIRE SEAL
3. CABINET IS FURNISHED WITH :
 - (12) 1/2" X 2" BOLTS AND HEX NUTS
 - (24) BELLEVILLE WASHERS
 - (24) FLAT WASHERS,ALL STAINLESS STEEL, NON-MAGNETIC
4. 14 GAUGE GALVANIZED FINISH
5. CONDUCTOR LUG KIT INCLUDED WITH CABINET UPON REQUEST, CATALOG NUMBER: 103628-1L